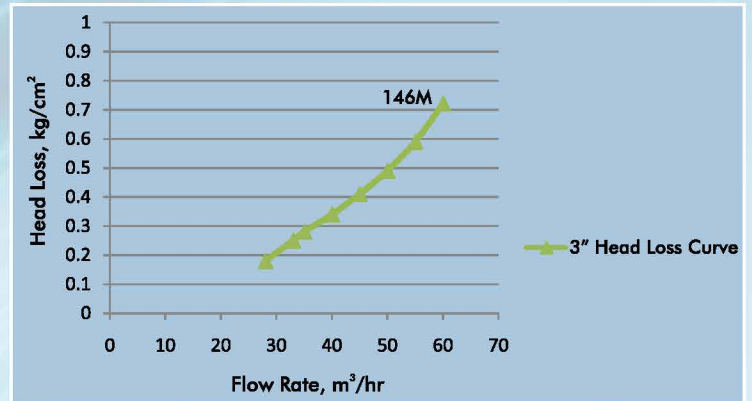
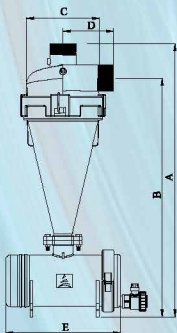


Hydrocyclone Filters

AQ-146

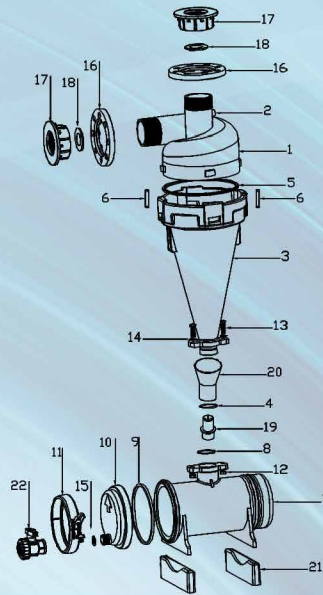


Specifications	AQ-146	
	US Standard	Metric Standard
Inlet / outlet	3" NPT	3" BSP
Maximum Operating Pressure	110 PSI	8 Kg/cm ²
Range of Flow Rate	155-230 GPM	35-52 m ³ /hr
Nominal Flow Rate	220 GPM	50 m ³ /hr
Body Material	Polyamide Reinforced	



Performance Data										
Model No.	Intel / Outlet Inch/mm	Rec. Range of Flow Rate, m ³ /hr	Nominal Flow Rate m ³ /hr	Dimensions (mm)					Capacity of Underflow Chamber (ltr)	Gross Weight
				A	B	C	D	E		
146	3" / 80	35-52	50	990	868	248	175	395	8	9.4 kg.
			50	990	868	248	175	482	10	9.6 kg.

Hydrocyclone Filters



3" Hydrocyclone Filter (Model 146 M - 50 m3/hr)

AIPL CODE	DESCRIPTION	INLET/OUTLET	CONNECTION SIZE	
14110008	3" Hydro Cyclone Filter 2 Nos Slip On Flanges (STD.) NPT, SS Clamp	THREAD NPT	3"	
14110003	3" Hydro Cyclone Filter 2 Nos Slip On Flanges (STD.) BSP, SS Clamp	THREAD BSP	3"	
14110012	3" Hydro Cyclone Filter Victaulic, SS Clamp	Victaulic Connection	3"	
SPARE PARTS				
S. NO	PARTS NAME	PART CODE	MATERIAL	QTY
1	Body (BSP Thread)	12550004	Glass reinforced PA	1
	Body (NPT Thread)	12550005		
2	Brass Bush	50100033	Brass	2
3	Cone	12550006	Glass reinforced PP	1
4	Cone O-Ring Small	50010088	NBR	1
5	Cone Main O-Ring	50030009	NBR	1
6	SS Lock Pin	50100035	SS-304	2
7	Collector Tank (8 Ltr)	12550007	Glass reinforced PP	1
	Collector Tank (10 Ltr)	12270025	Glass reinforced PA	
8	Collector Tank O-Ring (2" End Cap O-ring)	50010043	NBR	1
9	Collector Tank Gasket	50030006	NBR	1
10	Collector Tank Cap	12550008	Glass reinforced PP	1
11	SS Clamp	14010060	SS-304	1
12	Nut (10 MM)	50060013	SS-304	2
13	Bolt (10 x 50)	50060002	SS-304	2
14	Washer (10 MM)	50060006	SS-304	4
15	1" Ball Valve Rubber Washer (2" VI Rotameter Washer)	50020010	NBR	1
16	Slip On Flange	12550013	Glass reinforced PP	2
17	Slip On Socket (BSP Thread)	12550046	Glass reinforced PP	2
	Slip On Socket (NPT Thread)	12550049		
18	Slip On Flange Rubber Washer	50020043	NBR	2
19	Damper	12550037	POM	1
20	Cone Sleeve	12270027	TPU	1
21	Tank Stand Big	12270026	Glass reinforced PP	2
	Tank Stand Small	12270030		
22	1" FXF Ball Valve	19070006	PVC	1