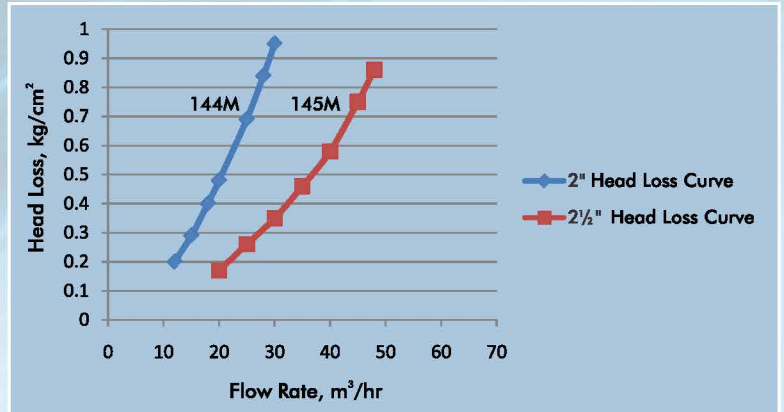
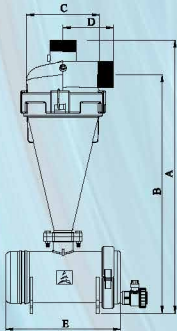


Hydrocyclone Filters

AQ-144



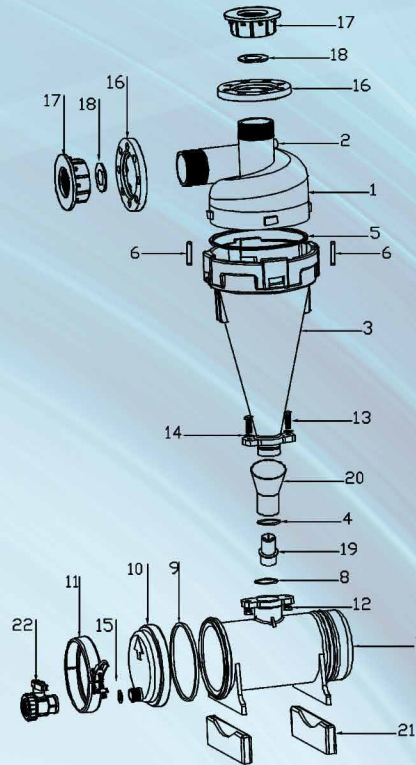
Specifications	AQ-144	
	US Standard	Metric Standard
Inlet / outlet	2" NPT	2" BSP
Maximum Operating Pressure	110 PSI	8 Kg/cm ²
Range of Flow Rate	65-110 GPM	15-25 m ³ /hr
Nominal Flow Rate	110 GPM	25 m ³ /hr
Material of Construction	Polyamide Reinforced	



Performance Data										
Model No.	Intel / Outlet Inch/mm	Rec. Range of Flow Rate, m ³ /hr	Nominal Flow Rate m ³ /hr	Dimensions (mm)					Capacity of Underflow Chamber (ltr)	Gross Weight
				A	B	C	D	E		
144	2" / 50	15-25	25	940	808	206	151	395	8	7.6 kg.
145	2 1/2" / 65	25-40	30	940	815	206	151	395	8	7.8 kg.

***2 1/2", 30 m³/hr (AQ-145) is also available**

Hydrocyclone Filters



2" Hydrocyclone Filter (Model 144 M - 25 m³/hr)

AIPL CODE	DESCRIPTION	INLET/OUTLET	CONNECTION SIZE	
14110006	2" Hydro Cyclone Filter 2 Nos Slip On Flanges (STD.) NPT, SS Clamp	Thread NPT	2"	
14110001	2" Hydro Cyclone Filter 2 Nos Slip On Flanges (STD.) BSP, SS Clamp	Thread BSP	2"	
14110013	2" Hydro Cyclone Filter Victaulic, SS Clamp	Victaulic Connection	2"	
SPARE PARTS				
S. NO	PARTS NAME	PART CODE	MATERIAL	QTY
1	Body (BSP Thread)	12550001	Glass reinforced PA	1
	Body (NPT Thread)	12550024		
2	Brass Bush	50100033	Brass	2
3	Cone	12550002	Glass reinforced PP	1
4	Cone O-Ring Small	50010088	NBR	1
5	Cone Main O-Ring	50030009	NBR	1
6	SS Lock Pin	50100035	SS-304	2
7	Collector Tank (8 Ltr.)	12550007	Glass reinforced PP	1
8	Collector Tank O-Ring (2" End Cap O-ring)	50010043	NBR	1
9	Collector Tank Gasket	50030006	NBR	1
10	Collector Tank Cap	12550008	Glass reinforced PP	1
11	SS Clamp	14010060	SS-304	1
12	Nut (10 MM)	50060013	SS-304	2
13	Bolt (10 X 50)	50060002	SS-304	2
14	Washer (10 MM)	50020006	SS-304	4
15	1" Ball Valve Rubber Washer (2" VI Rotameter Washer)	50020010	NBR	1
16	Slip On Flange	12550016	Glass reinforced PP	2
17	Slip On Socket (BSP Thread)	12550039	Glass reinforced PP	2
	Slip On Socket (NPT Thread)	12550052		
18	Slip On Flange Rubber Washer	50010063	NBR	2
19	Damper	12550035	POM	1
20	Cone Sleeve	12550033	TPU	1
21	Tank Stand Small	12270030	Glass reinforced PP	1
22	1" FXF Ball Valve	19070006	PVC	1