

T Type Disc Filters

AQ-134T(HC)



Max. Operating Pressure	8 Kg/cm ²
Clamp Material	Nylon Reinforced
Vacuum Breaker	For upside up installation
Drain port location	Front of the filter Body
Flow passes through outside to inside of Disc stake.	

AQ-134T



Max. Operating Pressure	10 Kg/cm ²
Clamp Material	Stainless Steel
Vacuum Breaker	Not fit with this design
Drain port location	Below the Filter barrel
Flow passes through outside to inside of Disc stake.	

Specifications	AQ-134T(HC) & AQ-134T	
	US Standard	Metric Standard
Inlet / outlet	2" NPT	2" BSP
Range of Flow Rate	95-155 GPM	22-35 m ³ /hr
Nominal Flow Rate	130 GPM	30 m ³ /hr
Filtration Surface Area	185 in ²	1193cm ²
Material of Construction	Polypropylene Glass Reinforced	
Material of Disc	Polypropylene Disc	
Cartridge Diameter	5.2 Inches	131mm
Cartridge Length	15.75 Inches	400mm
Available Mesh	120, 150	120, 150

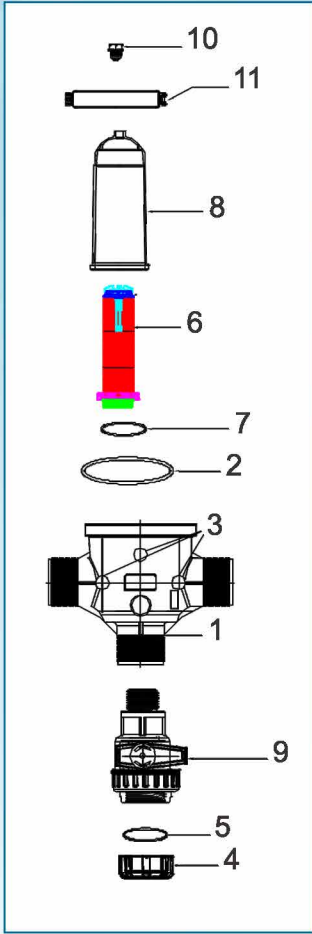
Filtering Element

- 120 Mesh
- 150 Mesh

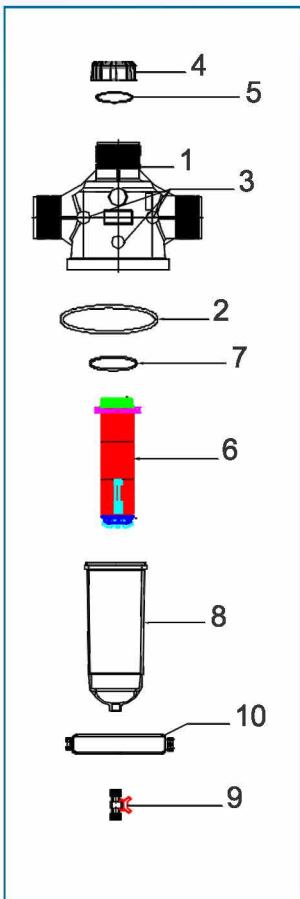
Flow Loss : AQ-134T

Flow m ³ /hr	17.6	22	26.4	30	35
Pressure Loss kg/cm ²	0.11	0.18	0.26	0.32	0.44
Flow GPM	78	95	116	130	154
Pressure Loss PSI	1.64	2.32	3.63	4.35	6.25

T Type Disc Filters



2" Disc Filter [Model 134 T(HC) - 30 m ² /hr]				
AIPL CODE	DESCRIPTION	INLET/OUTLET	CONNECTION SIZE	MICRON /MESH
14350029	2" Disc Filter T-Type (With Hybrid Clamp) 120 Mesh	Male Thread NPT	2"	130/120
14070085	2" Disc Filter T-Type (With Hybrid Clamp) 120 Mesh	Male Thread BSP	2"	130/120
14430002	2" Disc Filter T-Type (With Hybrid Clamp) 120 Mesh	Victaulic Connection	2"	130/120
SPARE PARTS				
S. NO	PARTS NAME	PART CODE	MATERIAL	QTY
1	Plain Body (BSP Thread)	12490023	Glass reinforced PP	1
	Plain Body (NPT Thread)	12490101		
	Plain Body (Victaulic Connection)	12490104		
2	Gasket	50030031	NBR	1
3	Brass Bush	50100033	Brass	3
4	End Cap (BSP Thread)	12490027	Glass reinforced PP	1
	End Cap (NPT Thread)	12490028		
5	End Cap O-Ring	50010043	NBR	1
6	Disc Cartridge (120 Mesh)	14130004	Glass reinforced PP	1
	Disc Cartridge (150 Mesh)	14130010		
7	Cartridge O-Ring	50010087	NBR	1
8	Barrel	12490116	Glass reinforced PP	1
9	3/4"x3/4" FXM Ball Valve	19070001	PP	1
10	3/4" Vacuum Breaker	25100051	Glass reinforced PP	1
11	Hybrid Clamp (SS Long Handle)	14050038	Glass reinforced PA	1



2" Disc Filter (Model 134 T - 30 m ² /hr)				
AIPL CODE	DESCRIPTION	INLET/OUTLET	CONNECTION SIZE	MICRON /MESH
14340002	2" Disc Filter T-Type (With SS Clamp) 120 Mesh	Male Thread NPT	2"	130/120
14010001	2" Disc Filter T-Type (With SS Clamp) 120 Mesh	Male Thread BSP	2"	130/120
14420002	2" Disc Filter T-Type (With SS Clamp) 120 Mesh	Victaulic Connection	2"	130/120
SPARE PARTS				
S. NO	PARTS NAME	PART CODE	MATERIAL	QTY
1	Plain Body (BSP Thread)	12490023	Glass reinforced PP	1
	Plain Body (NPT Thread)	12490101		
	Plain Body (Victaulic Connection)	12490104		
2	Gasket	50030031	NBR	1
3	Brass Bush	50100033	Brass	3
4	End Cap (BSP Thread)	12490027	Glass reinforced PP	1
	End Cap (NPT Thread)	12490028		
5	End Cap O-Ring	50010043	NBR	1
6	Disc Cartridge (120 Mesh)	14130004	Glass reinforced PP	1
	Disc Cartridge (150 Mesh)	14130010		
7	Cartridge O-Ring	50010087	NBR	1
8	Barrel	12490116	Glass reinforced PP	1
9	3/4"x3/4" MXM Mini Valve (Red Knob)	19030017	POM	1
10	SS Clamp (Long Handle)	14010060	SS 304	1