

T Type Screen Filters

AQ-126TL(HC)



Max. Operating Pressure	8 Kg/cm ²
Clamp Material	Nylon Reinforced
Vacuum Breaker	For upside up installation
Drain port location	Front of the filter Body
Flow passes through outside to inside screen filter mesh.	

AQ-126TL



Max. Operating Pressure	10 Kg/cm ²
Clamp Material	Stainless Steel
Vacuum Breaker	Not fit with this design
Drain port location	Below the Filter barrel
Flow passes through inside to outside screen filter mesh.	

Specifications	AQ-126TL(HC) & AQ-126TL	
	US Standard	Metric Standard
Inlet / outlet	3" NPT	3" BSP
Range of Flow Rate	195-230 GPM	45-52 m ³ /hr
Nominal Flow Rate	220 GPM	50 m ³ /hr
Filtration Surface Area	172 in ²	1108cm ²
Material of Construction	Polypropylene Glass Reinforced	
Filtering Cartridge	316 Grade Stainless Steel Screen	
Cartridge Diameter	4.7 Inches	118mm
Cartridge Length	19.75 Inches	502mm
Available Mesh	80, 120, 150	80, 120, 150

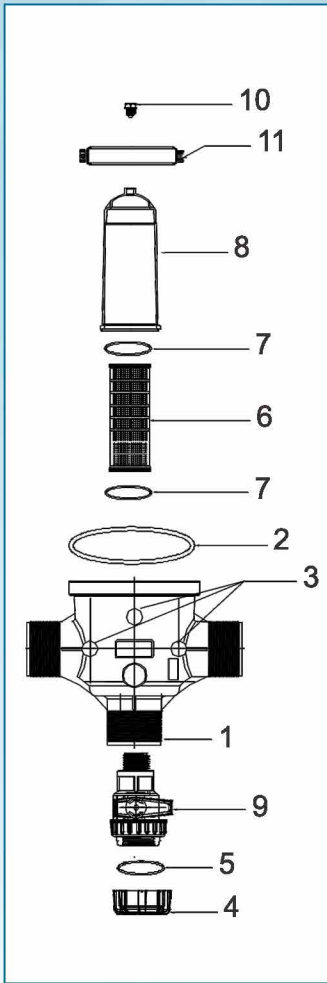
Filtering Element

- 80 Mesh
- 120 Mesh
- 150 Mesh

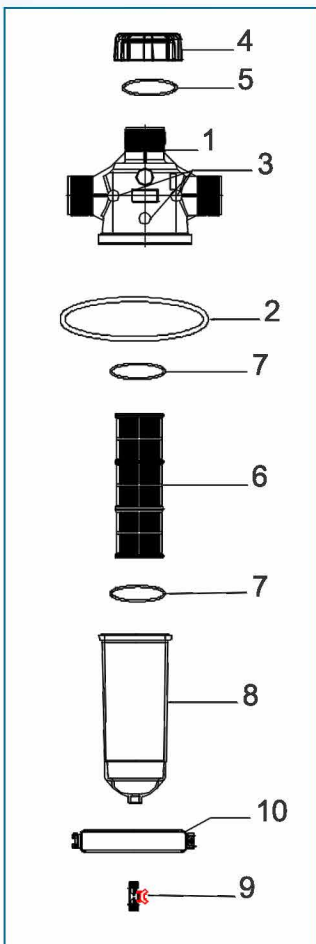
Flow Loss : AQ-126TL(HC)						
Flow m ³ /hr	36	45	50	51	61.2	
Pressure Loss kg/cm ²	0.05	0.10	0.24	0.26	0.40	
Flow GPM	160.0	195.0	220.0	225.0	5.7	
Pressure Loss PSI	0.78	1.21	3.41	3.76	6.35	

Flow Loss : AQ-126TL						
Flow m ³ /hr	36	45	50	51	61.2	
Pressure Loss kg/cm ²	0.05	0.13	0.3	0.32	0.45	
Flow GPM	160.0	195.0	220.0	225.0	269.0	
Pressure Loss PSI	0.78	1.68	4.26	4.56	6.35	

T Type Screen Filters



3" Screen Filter (Model 126 TL(HC) - 50 m ³ /hr)				
AIPL CODE	DESCRIPTION	INLET/OUTLET	CONNECTION SIZE	MICRON /MESH
14320024	3" Screen Filter T-Type (With Hybrid Clamp) 120 Mesh	Male Thread NPT	3"	130/120
14050085	3" Screen Filter T-Type (With Hybrid Clamp) 120 Mesh	Male Thread BSP	3"	130/120
14460004	3" Screen Filter T-Type (With Hybrid Clamp) 120 Mesh	Victaulic Connection	3"	130/120
SPARE PARTS				
S. NO	PARTS NAME	PART CODE	MATERIAL	QTY
1	Plain Body (BSP Thread)	12490001	Glass reinforced PP	1
	Plain Body (NPT Thread)	12490185		
	Plain Body (Victaulic Connection)	12490006		
2	Gasket	50030031	NBR	1
3	Brass Bush	50100033	Brass	3
4	End Cap (BSP Thread)	12490009	Glass reinforced PP	1
	End Cap (NPT Thread)	12490010		
5	End Cap O-Ring	50010039	NBR	1
6	SS-316 Screen Cartridge Single Mesh 80 - Black	12490180	Glass reinforced PA	1
	SS-316 Screen Cartridge Single Mesh 120 - Blue	12490178		
	SS-316 Screen Cartridge Single Mesh 150 - Red	12490177		
7	Cartridge O-Ring	50010040	NBR	2
8	Barrel	12490007	Glass reinforced PP	1
9	3/4"x3/4" FXM Ball Valve	19070001	PP	1
10	3/4" Vacuum Breaker	25100051	Glass reinforced PP	1
11	Hybrid Clamp (SS Long Handle)	14050038	Glass reinforced PA	1



3" Screen Filter (Model 126 TL - 50 m ³ /hr)				
AIPL CODE	DESCRIPTION	INLET/OUTLET	CONNECTION SIZE	MICRON /MESH
14310011	3" Screen Filter T-Type (With SS Clamp) 120 Mesh	Male Thread NPT	3"	130/120
14100006	3" Screen Filter T-Type (With SS Clamp) 120 Mesh	Male Thread BSP	3"	130/120
14450004	3" Screen Filter T-Type (With SS Clamp) 120 Mesh	Victaulic Connection	3"	130/120
SPARE PARTS				
S. NO	PARTS NAME	PART CODE	MATERIAL	QTY
1	Plain Body (BSP Thread)	12490001	Glass reinforced PP	1
	Plain Body (NPT Thread)	12490185		
	Plain Body (Victaulic Connection)	12490006		
2	Gasket	50030031	NBR	1
3	Brass Bush	50100033	Brass	3
4	End Cap (BSP Thread)	12490009	Glass reinforced PP	1
	End Cap (NPT Thread)	12490010		
5	End Cap O-Ring	50010039	NBR	1
6	SS-316 Screen Cartridge Double Mesh 30/80 - Black	12490037	Glass reinforced PA	1
	SS-316 Screen Cartridge Double Mesh 30/120 - Blue	12490035		
	SS-316 Screen Cartridge Double Mesh 30/150 - Red	12490034		
7	Cartridge O-Ring	50010040	NBR	2
8	Barrel	12490007	Glass reinforced PP	1
9	3/4"x3/4" MXM Mini Valve (Red Knob)	19030017	POM	1
10	SS Clamp (Long Handle)	14010060	SS 304	1